

AD-35i

35-lb Capacity OPL Dryer

Standard Features:

- Variable drum speed
- Pre-heat system
- Trans-axial airflow
- Fully insulated cabinet
- Double-pane door glass
- Self-cleaning lint screen
- Direct spark ignition
- Two-point roller support
- "IMC" intuitive micro control with auto-dry system
- S.A.F.E. (Sensor Activated Fire Extinguishing System)
- Single-phase reversing basket
- Stainless steel basket and fronts
- Simplified inverter drive system
- Fits through standard 36" door
- Available in gas & electric

Optional Features:

- Automatic Airflow Compensator (AAFC)

Optional AAFC adjusts exhaust fan speed to improve exhaust flow with increased back pressure caused by installation issues. This exclusive patented technology adjusts fan speed and enhances dryer performance. Measurements are calculated in real-time, on an ongoing basis to optimize dry-times and efficiency.

Why Purchase AD-35i?

Performance

The achievement: Through innovative design, the i-Series dryers achieve higher performance, industry-leading efficiency, shorter dry times and safer, more reliable operation. What an owner wants, an owner gets: saving money on utilities, payroll, and maintenance. Anyone can say their dryers have the best performance. The Intelligent Dryer Series has the features to prove it.

Reliability

Demanding owners require more than just outstanding performance for their toughest laundry environments. To accommodate owners, we designed the i-Series with years of reliable operation as an absolute design necessity. A sturdy steel-welded cabinet, fewer moving parts and top-quality components are the foundation of the line. Costly repairs and unwanted downtime are now a thing of the past.

IMC—Intuitive Micro Controls is easy-to-use and 100% customizable.

The IMC is an intelligent and simple-to-use control system that provides one-touch program selection. By creating a fully integrated drying system, ADC utilizes IMC to control all aspects of the drying process to minimize user error and maximize drying speed and efficiency.



AD-35i OPL Dryer

Your local ADC independent authorized distributor

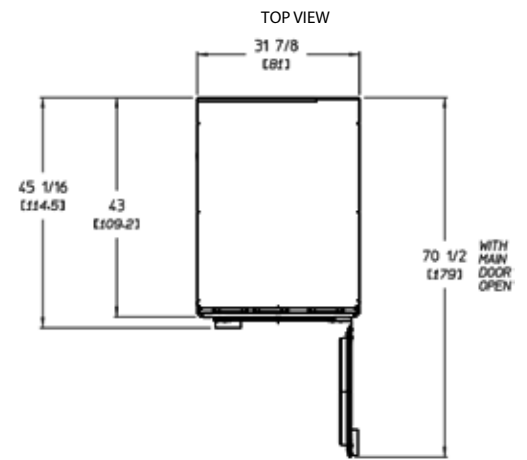
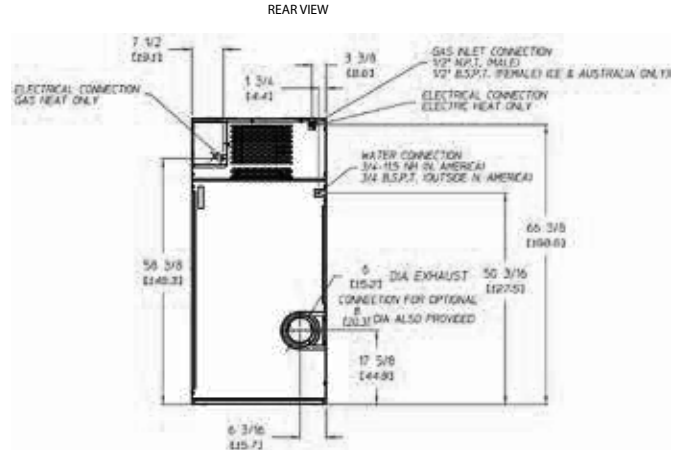


AD-35i

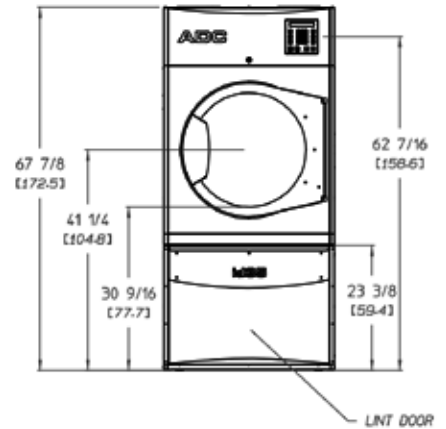
AD-35i Specifications

Maximum Capacity (dry weight)	35 lb	15.87 kg	
Tumbler Diameter	30"	76.2 cm	
Tumbler Depth	29-3/8"	74.61 cm	
Tumbler Volume	12.0 cu ft	339.80 L	
Tumbler/Drive Motor	1 hp	0.75 kW	
Blower/Fan Motor	1/2 hp	0.37 kW	
Cabinet Width	31-7/8"	80.96 cm	
Cabinet Depth	43"	109.22 cm	
Cabinet Height	67-7/8"	172.40 cm	
Door Opening (diameter)	21-1/2"	54.61 cm	
Door Sill Height	30-9/16"	77.62 cm	
Water Connection	3/4"-11.5 NH (North America) 3/4" B.S.P.T. (Outside North America)		
Dryers per 20'/40' Container	10 / 22		
Dryers per 48'/53' Container	32 / 36		
Gas	Voltage Available	120-480V 1,3ø 2,3w 50/60 Hz	
	Approximate Net Weight	552 lb 250.38 kg	
	Approximate Shipping Weight	585 lb 322.05 kg	
	Airflow	50 Hz 340 cfm 9.63 cmm 60 Hz 440 cfm 12.46 cmm	
	Heat Input	70,000 Btu/hr 17,639 kcal/hr	
	Exhaust Connection (diameter)	6" / 8" 15.24 cm / 20.32 cm	
Electric	Inlet Pipe Connection	1/2" N.P.T. (Male) 1/2" B.S.P.T. (Female) (CE and Australia Only)	
	Voltage Available	120-480V 1,3ø 2,3,4w 50/60 Hz	
	Approximate Net Weight	557 lb 252.65 kg	
	Approximate Shipping Weight	590 lb 267.62 kg	
	Airflow	50 Hz 280 cfm 7.93 cmm 60 Hz 420 cfm 11.89 cmm	
	Exhaust Connection (diameter)	6" / 8" 15.24 cm / 20.32 cm	
	Oven Size		kW
			BTU
			Kcal
			13.5 46,074 11,611
		12.4 42,310 10,662	
		11.3 38,557 9,716	
		10.1 34,462 8,684	
	9.0 30,709 7,739		
	8.3 28,320 7,137		
	7.5 25,519 6,449		
	6.7 22,861 5,761		

2/5/15



FRONT VIEW



Electrical Service Specifications

GAS HEAT

SERVICE VOLTAGE	PHASE	WIRE SERVICE	APPROX AMP DRAW		CIRCUIT BREAKER
			60 Hz	50 Hz	
120	1ø	2	10.2	--	15
208	1ø	2	6.8	--	15
220	1ø	2	6.6	6.6	15
230	1ø	2	6.6	6.6	15
240	1ø	2	6.6	6.6	15
208	3ø	3	5	--	15
220	3ø	3	5.4	3	15
230	3ø	3	5.4	3	15
240	3ø	3	5.4	3	15
380	3ø	3	--	2.5	15
400	3ø	3	--	2.5	15
416	3ø	3	--	2.5	15
440	3ø	3	3.1	--	15
460	3ø	3	3.1	--	15
480	3ø	3	3.1	--	15

Electrical Service Specifications

ELECTRIC HEAT

SERVICE VOLTAGE	PHASE	WIRE SERVICE	kW	APPROX AMP DRAW		CIRCUIT BREAKER
				60 Hz	50 Hz	
SINGLE-PHASE HEAT SINGLE-PHASE MOTOR						
220	1ø	2	11.3	58.0	56.0	80
230	1ø	2	12.4	60.5	58.5	80
240	1ø	2	13.5	62.9	60.9	80
THREE-PHASE HEAT SINGLE-PHASE MOTOR						
220	3ø	3	11.3	34.3	34.3	50
230	3ø	3	12.4	35.7	35.7	50
240	3ø	3	13.5	37.1	37.1	50
380	3ø	3	11.3	--	23.3	30
400	3ø	3	12.4	--	24.0	30
416	3ø	3	13.5	--	24.8	40
THREE-PHASE HEAT THREE-PHASE MOTOR						
220	3ø	3	11.3	35	35	50
230	3ø	3	12.4	37	36	50
240	3ø	3	13.5	38	38	50
380	3ø	3	11.3	--	21	30
400	3ø	3	12.4	--	21	30
416	3ø	3	13.5	--	22	30
440	3ø	3	11.3	19	--	30
460	3ø	3	12.4	20	--	30
480	3ø	3	13.5	20	--	30



QY160038 1/17

88 Currant Road, Fall River, MA 02720-4781 • 508.678.9000